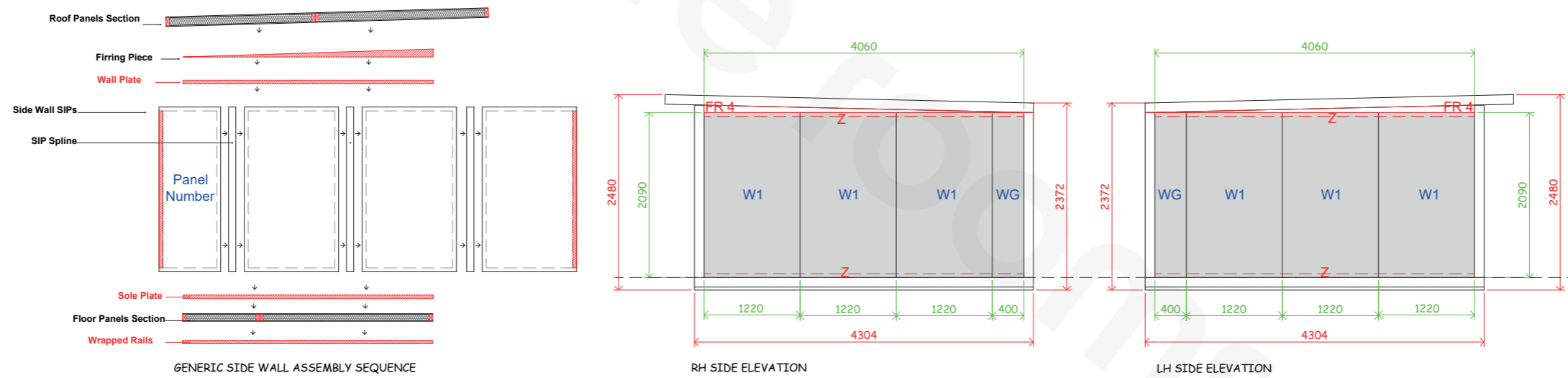
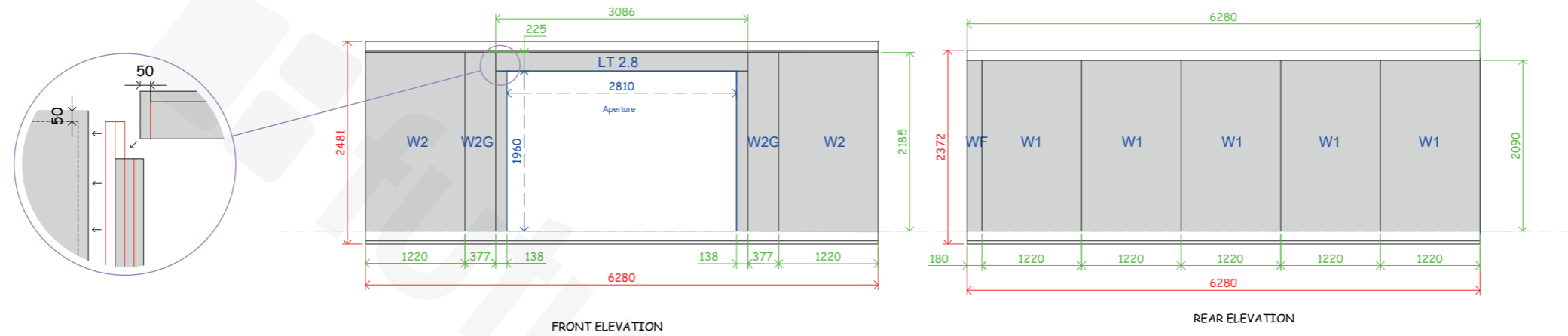
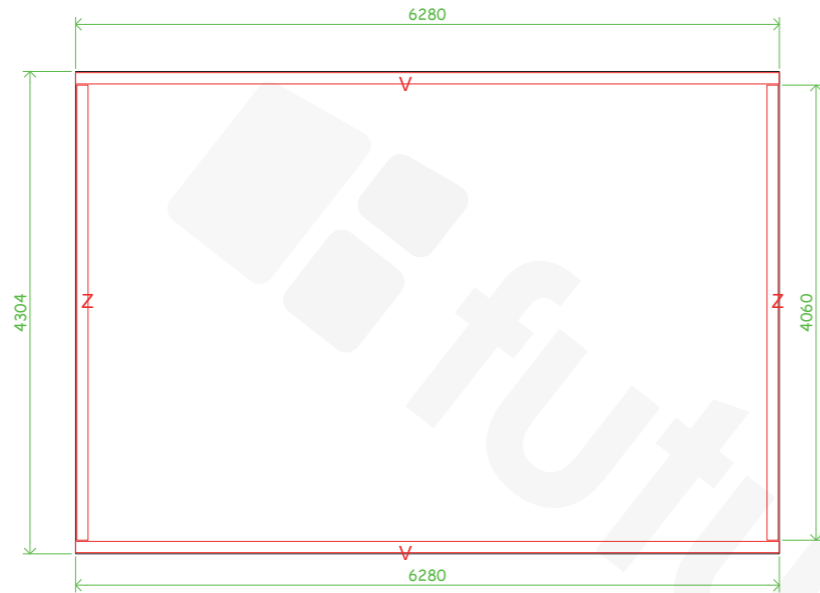


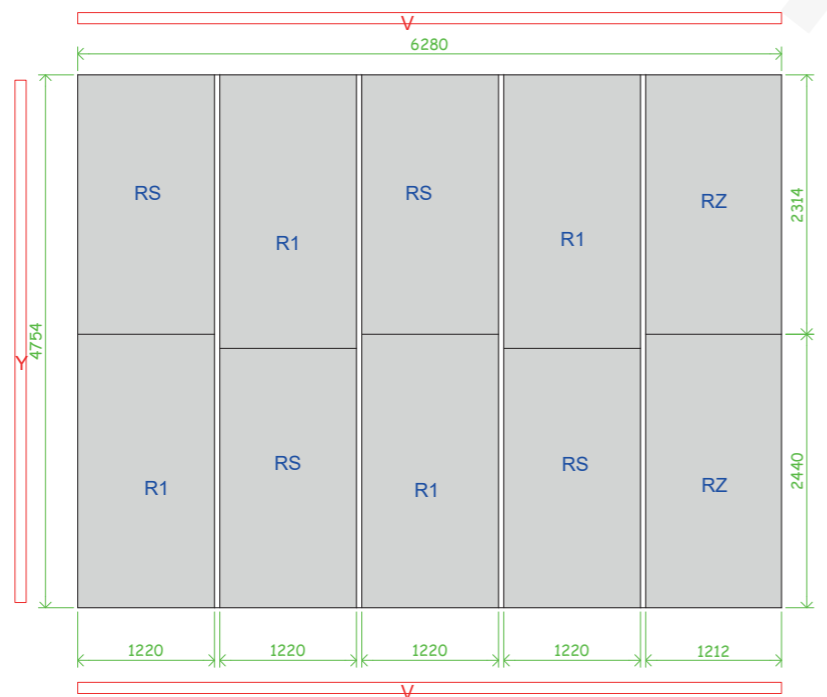
Drawings illustrate the structural insulated shell only, all internal and external finishes have been omitted.



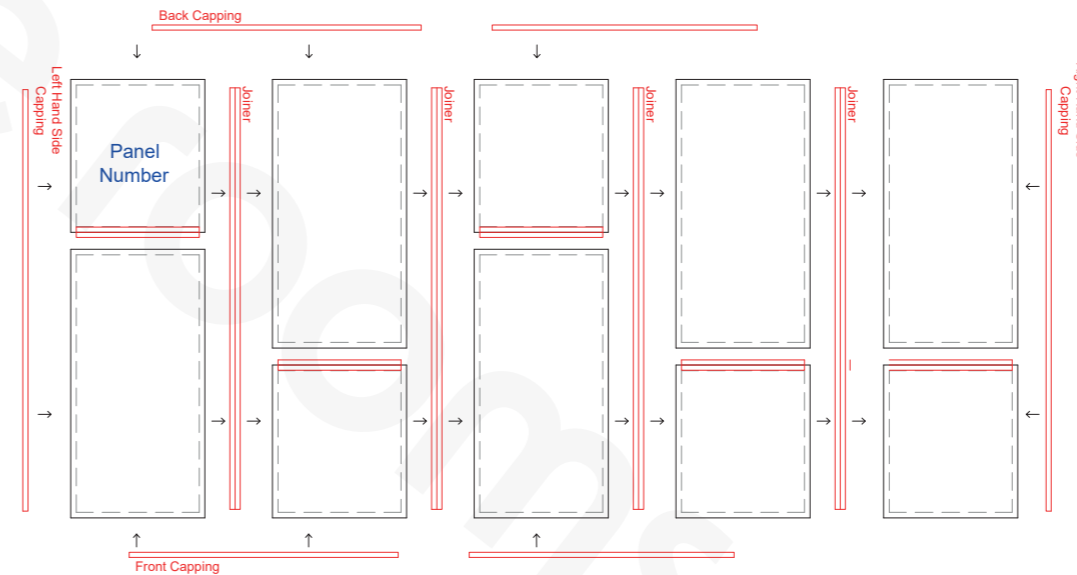
Drawings illustrate the structural insulated shell only, all internal and external finishes have been omitted.



WALL PLATE PLAN



ROOF PANEL PLAN



GENERIC FLOOR AND ROOF ASSEMBLY SEQUENCE

Note: number of panels will change depending on room dimension

Drawings illustrate the structural insulated shell only, all internal and external finishes have been omitted.

© Future Rooms 2023. Future Rooms is registered in England and Wales No: 08379112.

Registered Office: Unit 27 Staunton Court Business Park, Ledbury Road, Staunton, Gloucestershire GL19 3QS.

Future Rooms reserves the right to make changes to their Garden Rooms without notice. Copyright © 2023 Future Rooms Limited. All Rights Reserved.

T: 01452 840284 E: info@futererooms.co.uk W: www.futererooms.co.uk