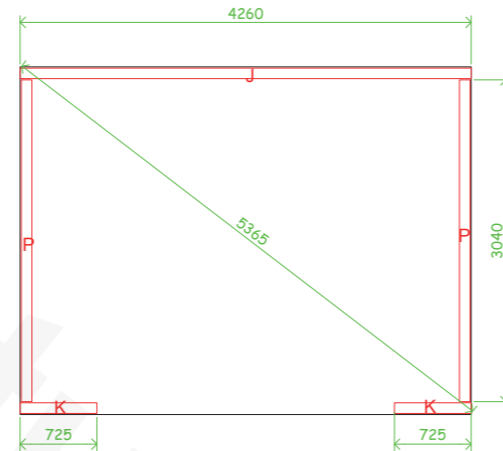
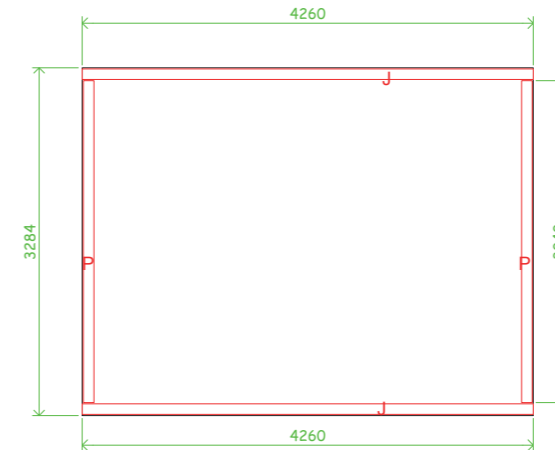


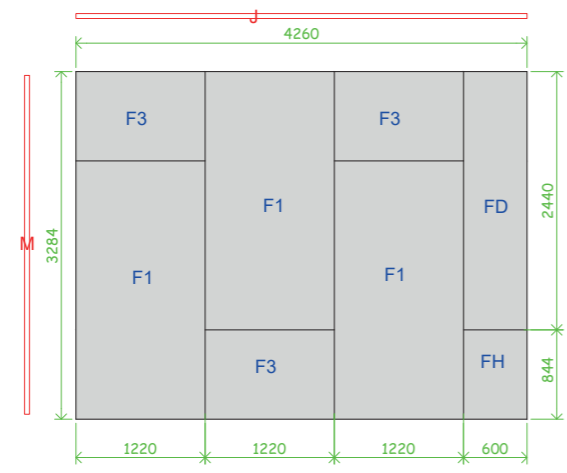
GROUND FLOOR PLAN



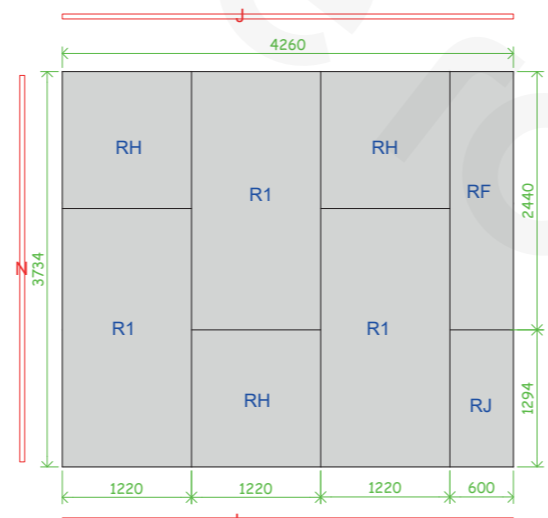
SOLE PLATE PLAN



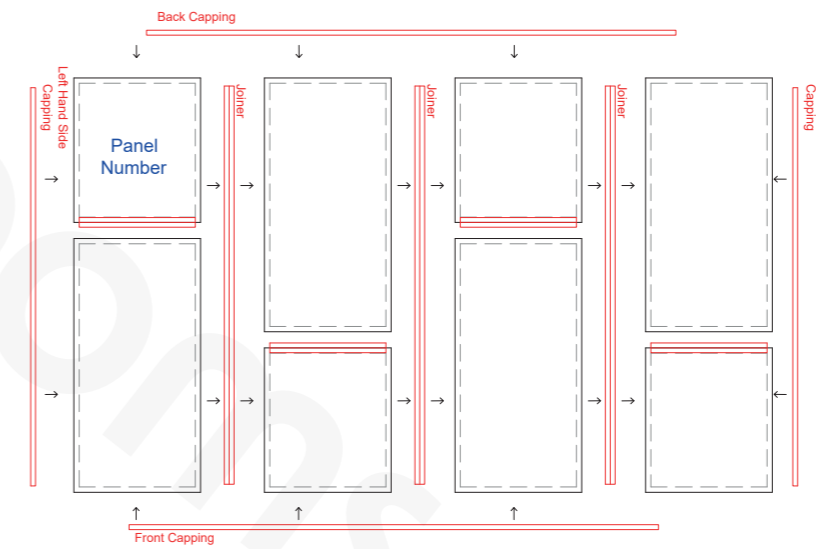
WALL PLATE PLAN



FLOOR PANEL PLAN



ROOF PANEL PLAN



GENERIC FLOOR AND ROOF ASSEMBLY SEQUENCE
Note: number of panels will change depending on room dimension

Drawings illustrate the structural insulated shell only, all internal and external finishes have been omitted.

