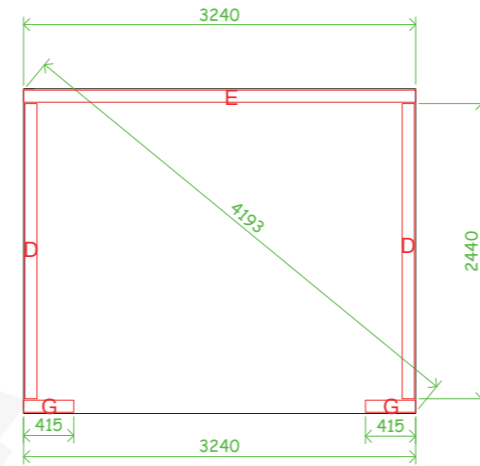
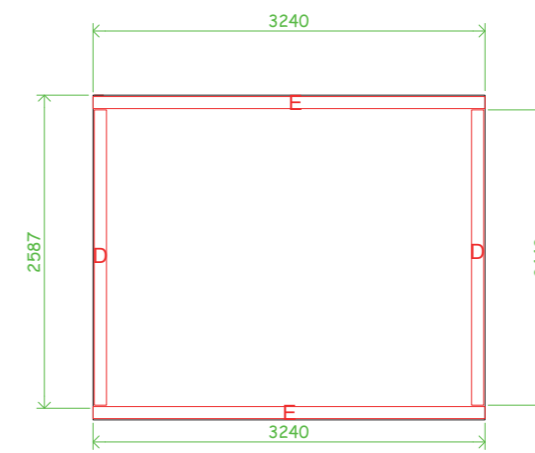


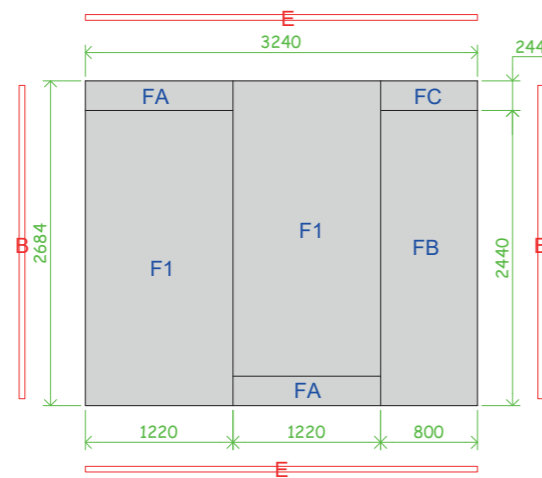
GROUND FLOOR PLAN



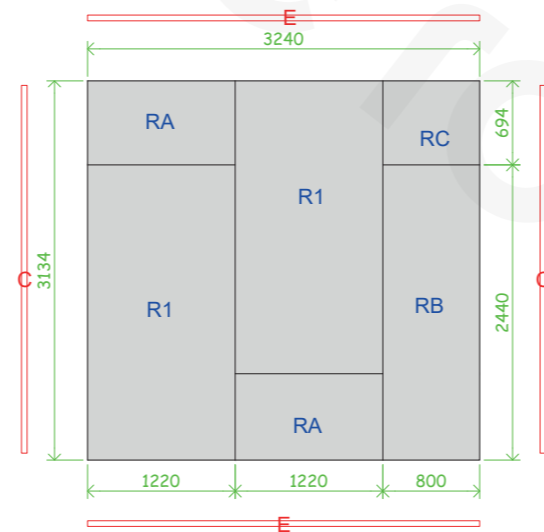
SOLE PLATE PLAN



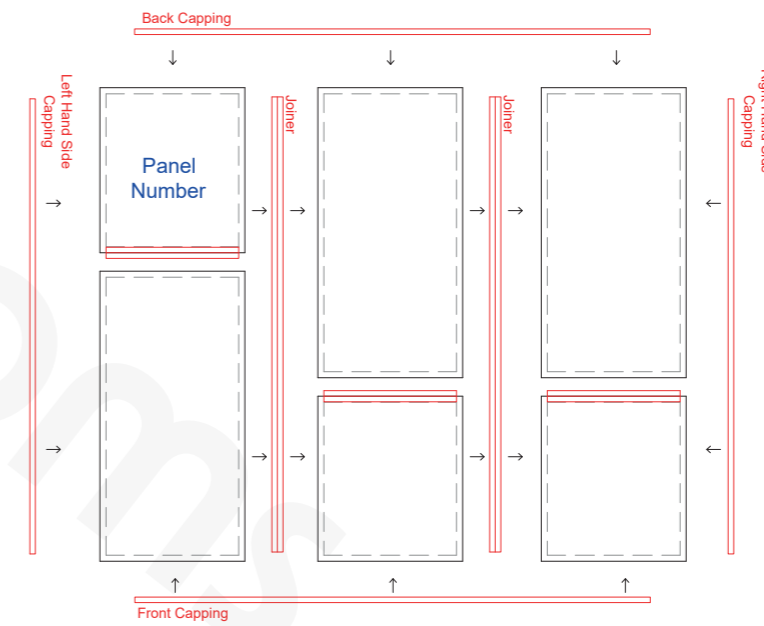
WALL PLATE PLAN



FLOOR PANEL PLAN

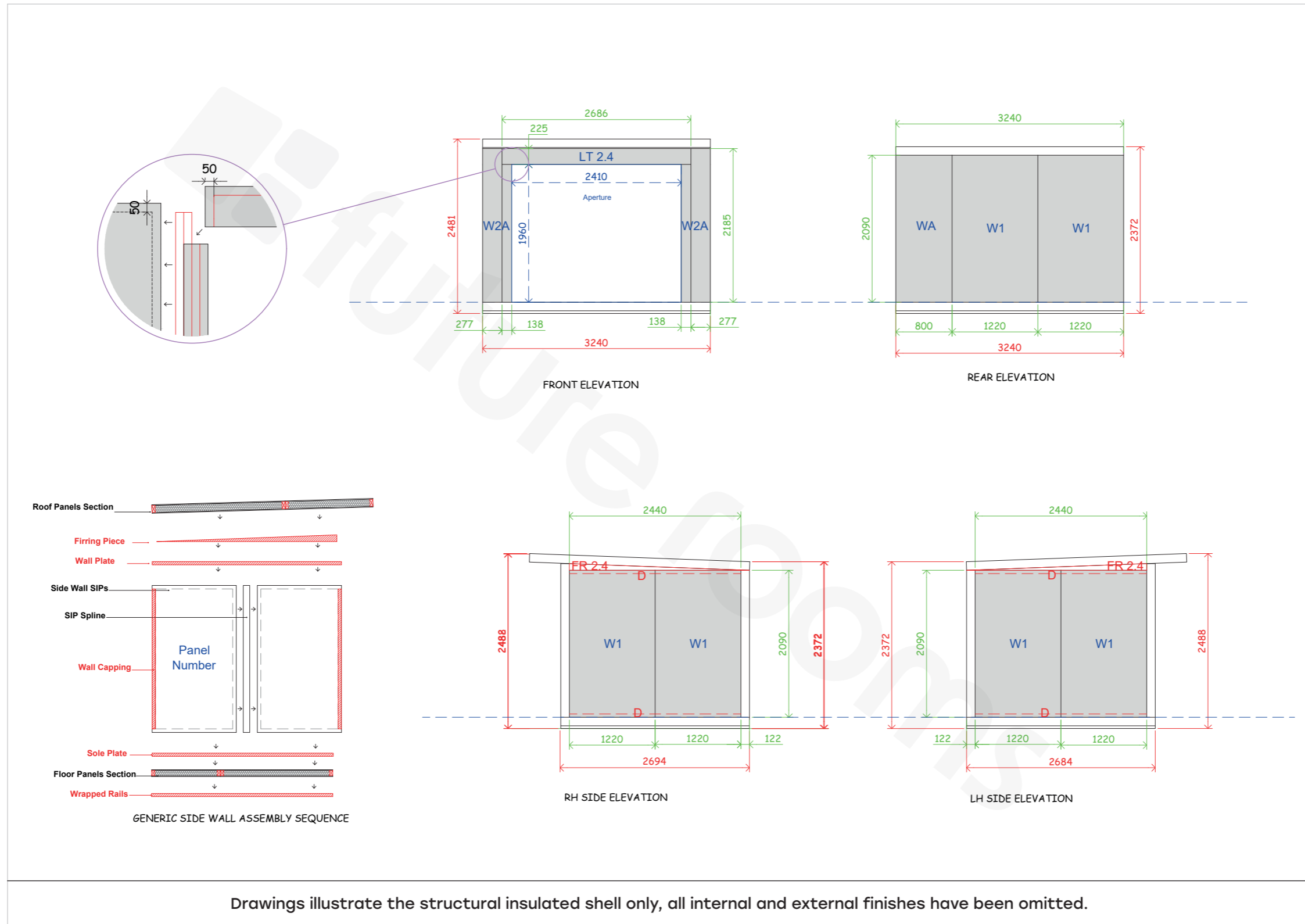


ROOF PANEL PLAN



GENERIC FLOOR AND ROOF ASSEMBLY SEQUENCE

Drawings illustrate the structural insulated shell only, all internal and external finishes have been omitted.



Drawings illustrate the structural insulated shell only, all internal and external finishes have been omitted.